

GOLD WALL INTEGRAL

FROZEN WELL ONLY INTEGRAL CABINET





GOLD WALL INTEGRAL

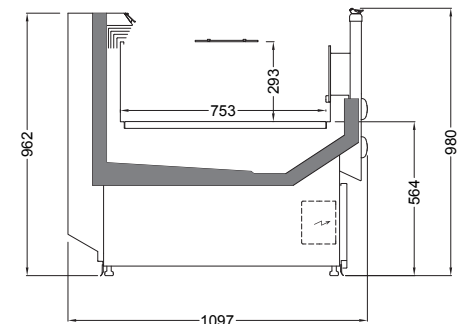
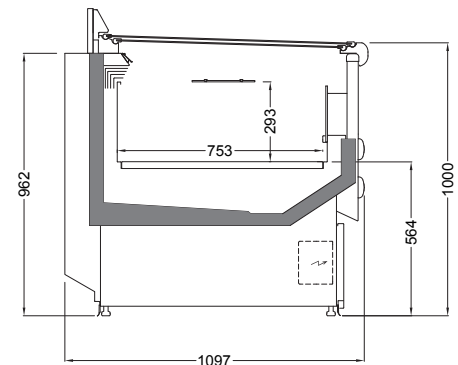
FROZEN WELL ONLY INTEGRAL CABINET

Benefits & Specifications:

- User-friendly
- Small footprint with compact design
- Easy access and ergonomic design
- Customized solutions for individual needs
- Fully configurable to different concepts
- Easily adaptable to seasonal needs
- Low operating costs
- Simplified maintenance
- Wide range of future refrigerant options

Dimensions (mm):

Height : 1000
Length : 1250 (incl. side walls)
Depth : 1100



SYSTEM	OPERATING TEMP. °C	REFRIGERANT
PLUG-IN NEGATIVE	-22 / -24	HC HFC blend HFC / HFO blend

HC: R290 / R1270 · HFC: R407A / R407F / R404A · HFC / HFO: R448A / R449A / R452A

Kaplanlar reserves the right to make appropriate technical modifications without prior notice.

GOLD WALL INTEGRAL

Length mm | 1250