

# FLORIT

SELF - SERVICE PRODUCE INTEGRAL COUNTER

# PRODUCE





# FLORIT

SELF - SERVICE PRODUCE INTEGRAL COUNTER

# PRODUCE



### Benefits & Specifications:

- Mobile plug-in cabinet on castors
- Sloped base deck for produce products merchandised in perforated produce crates
- High product visibility
- Easy access and ergonomic design
- Increased display area
- Simplified maintenance
- Delivers high standard of performance

### Dimensions (mm):

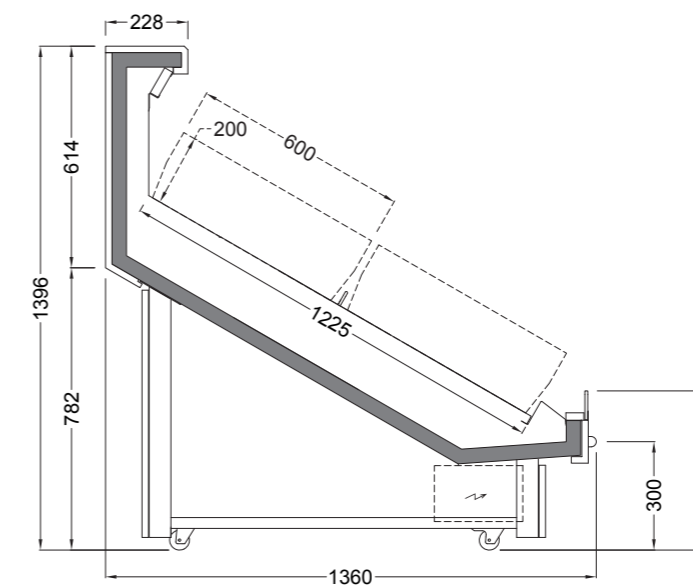
Height : 1396  
Length : 1250 / 1875  
Depth : 1360

SYSTEM	OPERATING TEMP. °C	REFRIGERANT
PLUG-IN	+3 / +5	HC HFC blend HFC / HFO blend

HC: R290 / R1270 · HFC: R407A / R407F / R134a / R404A · HFC / HFO: R448A / R449A / R452A / R450A



## TECHNICAL DATA



### FLORIT PRODUCE

Length mm | 1250 | 1875

YOUR  
WORLD  
OUR  
WORLD