

CITRINE

SERVE - OVER & SELF - SERVICE COUNTERS





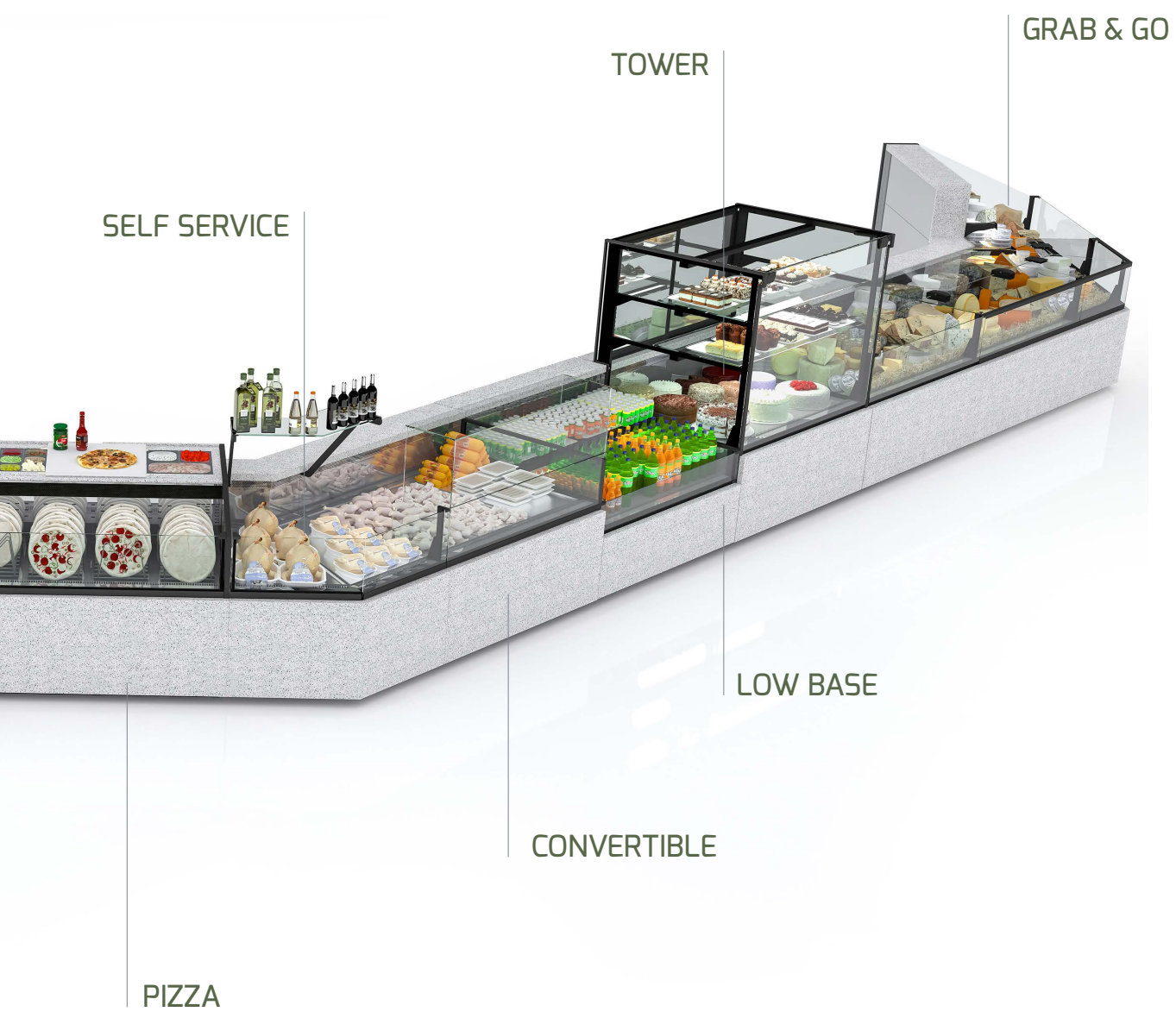
CITRINE

SERVE - OVER & SELF - SERVICE COUNTERS



AMBIENT
COUNTER

ORIEL



GRAB & GO

TOWER

SELF SERVICE

LOW BASE

CONVERTIBLE

PIZZA



CITRINE

SERVE - OVER & SELF - SERVICE COUNTERS







CITRINE SQ

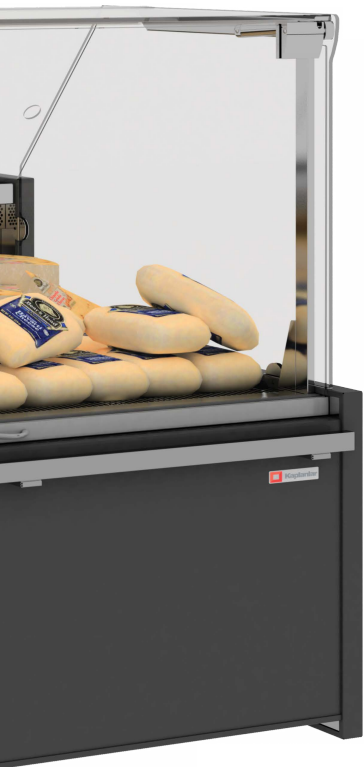
SERVE - OVER & SELF - SERVICE COUNTERS





Benefits & Specifications:

- Mix and match counters for versatile displays
- Dozens of accessories available
- Built-in durability
- Creative combinations of stone, metal, wood and glass
- Stand out features for concept building
- Energy efficiency combined with utility
- A multi-faceted design platform
- Flushed or tiered shelving for easy service
- Curved or angled styling to optimize floor space
- Clear sight lines



Dimensions (mm):

Height : 1200 (Serve Over) / 850 (Self Service)

Length :

Run Cabinets : 1250 / 1875 / 2500 / 3125 / 3750

Corner Cabinets : EC45° / EC90° / IC45° / IC90°

Depth : 1027 / 1150

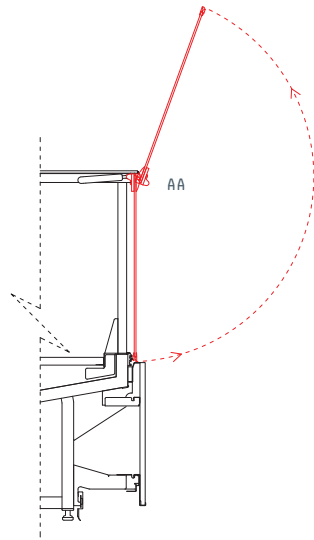
SYSTEM	OPERATING TEMP. °C	REFRIGERANT
REMOTE	-1 / +1	HFC blend
	+2 / +4	HFC/HFO blend
		CO ₂ Glycol / Water

HFC: R407A / R407F / R134a / R404A • HFC/HFO: R448A / R449A / R452A / R450A
CO₂: R744 • GLYCOL/WATER: R718

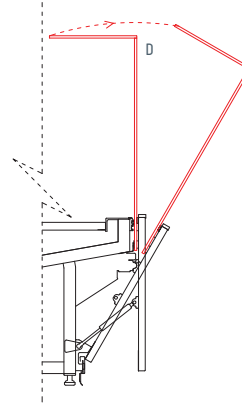


TECHNICAL DATA

CITRINE SERVE-OVER COUNTERS FRONT GLASS TYPES

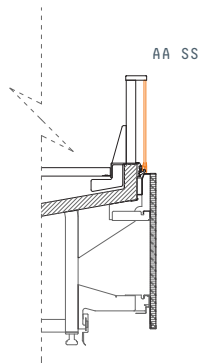


AA: SQUARE GLASS, TOP HINGED

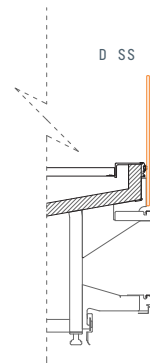


D: FLAT GLASS, LOWER HINGED

CITRINE SELF-SERVICE COUNTERS FRONT GLASS TYPES

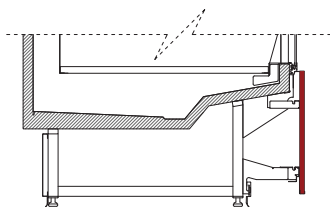


AA SS: SQUARE GLASS, SELF-SERVICE

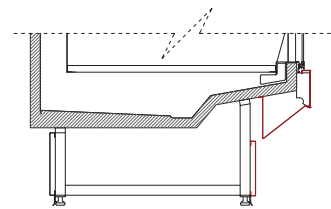


D SS: FLAT GLASS, SELF-SERVICE

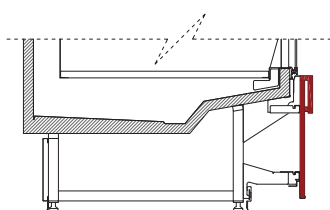
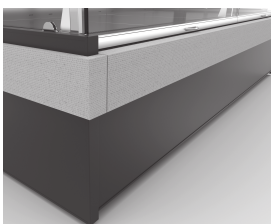
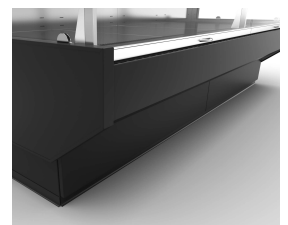
CITRINE SQ FASCIA PANEL & FOOT TYPES



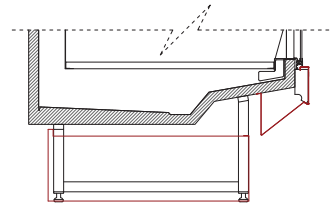
TP: FLAT FRONT FASCIA PANEL



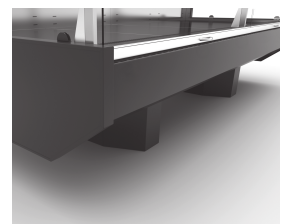
B: FOOT ASSEMBLY (CLOSED BOTTOM)



YP: HALF LOWER FRONT FASCIA PANEL



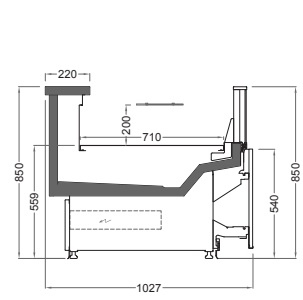
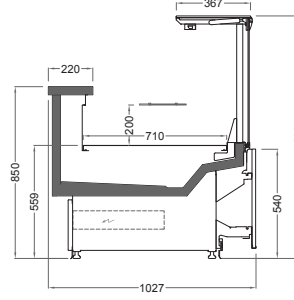
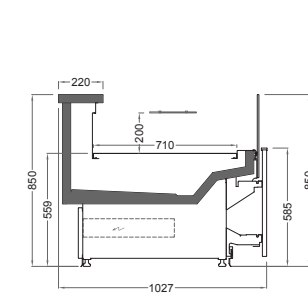
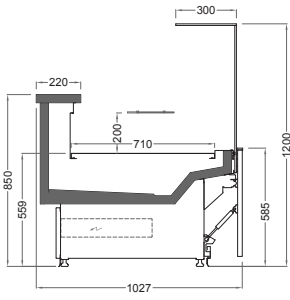
BA: FOOT ASSEMBLY (OPEN BOTTOM)



D: SQUARE GLASS / LOWER HINGED

AA: FLAT GLASS / TOP HINGED

CITRINE SQ 710



CITRINE 710 / 1200 / 1027 / 585 - SQ-D-DL

Length mm | 1250 | 1875 | 2500 | 3750

CITRINE 710 / 850 / 1027 / 585 - SQ-D-SS

Length mm | 1250 | 1875 | 2500 | 3750

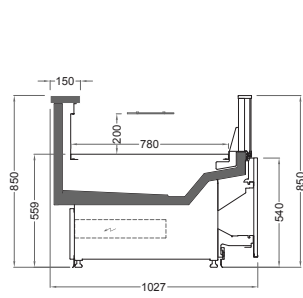
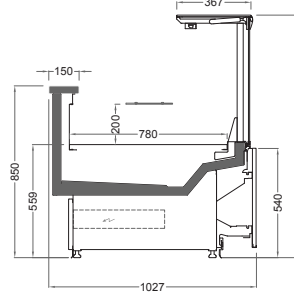
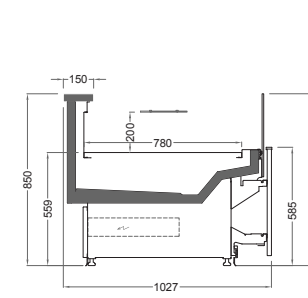
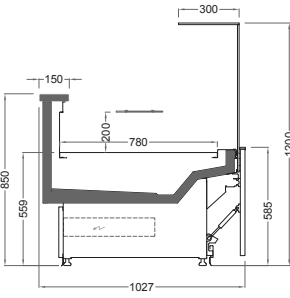
CITRINE 710 / 1200 / 1027 / 540-SQ-AA-DL

Length mm | 1250 | 1875 | 2500 | 3750

CITRINE 710 / 1200 / 1027 / 540-SQ-AA-SS

Length mm | 1250 | 1875 | 2500 | 3750

CITRINE SQ 780



CITRINE 780 / 1200 / 1027 / 585 - SQ-D-DL

Length mm | 1250 | 1875 | 2500 | 3750

CITRINE 780 / 850 / 1027 / 585 - SQ-D-SS

Length mm | 1250 | 1875 | 2500 | 3750

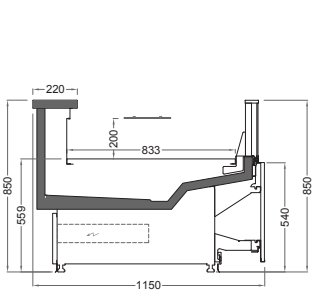
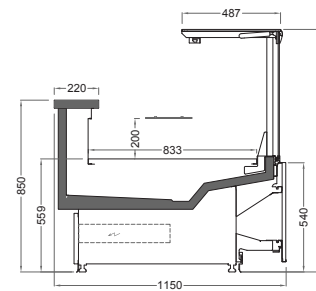
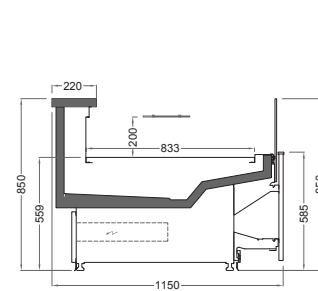
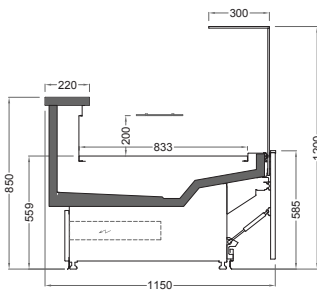
CITRINE 780 / 1200 / 1027 / 540-SQ-AA-DL

Length mm | 1250 | 1875 | 2500 | 3750

CITRINE 780 / 1200 / 1027 / 540-SQ-AA-SS

Length mm | 1250 | 1875 | 2500 | 3750

CITRINE SQ 830



CITRINE 830 / 1200 / 1027 / 585 - SQ-D-DL

Length mm | 1250 | 1875 | 2500 | 3750

CITRINE 830 / 850 / 1027 / 585 - SQ-D-SS

Length mm | 1250 | 1875 | 2500 | 3750

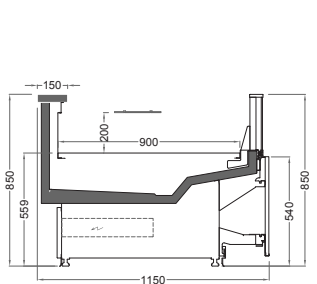
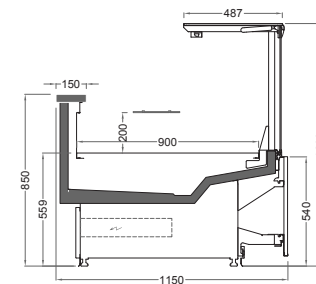
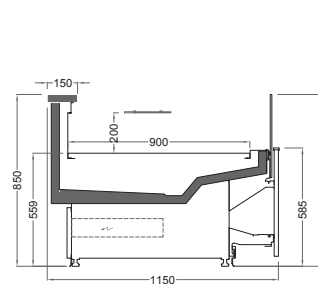
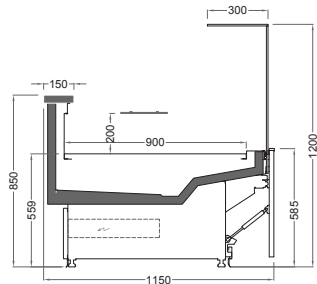
CITRINE 830 / 1200 / 1027 / 540-SQ-AA-DL

Length mm | 1250 | 1875 | 2500 | 3750

CITRINE 830 / 1200 / 1027 / 540-SQ-AA-SS

Length mm | 1250 | 1875 | 2500 | 3750

CITRINE SQ 900



CITRINE 900 / 1200 / 1027 / 585 - SQ-D-DL

Length mm | 1250 | 1875 | 2500 | 3750

CITRINE 900 / 850 / 1027 / 585 - SQ-D-SS

Length mm | 1250 | 1875 | 2500 | 3750

CITRINE 900 / 1200 / 1027 / 540-SQ-AA-DL

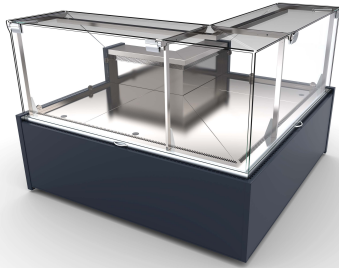
Length mm | 1250 | 1875 | 2500 | 3750

CITRINE 900 / 1200 / 1027 / 540-SQ-AA-SS

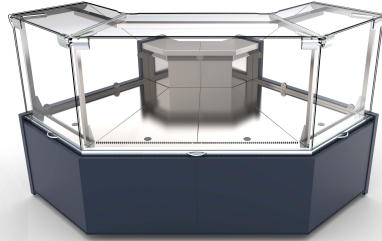
Length mm | 1250 | 1875 | 2500 | 3750



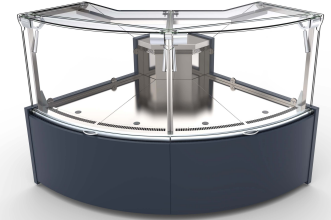
TECHNICAL DATA



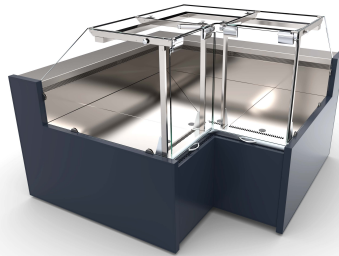
CITRINE SQ EC90
90° EXTERNAL CORNER



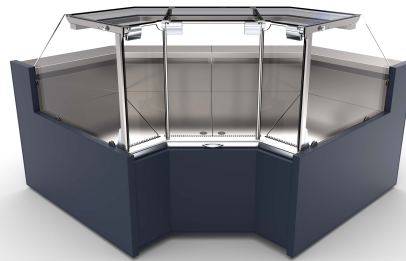
CITRINE SQ EC90
90° BEVELLED EXTERNAL CORNER



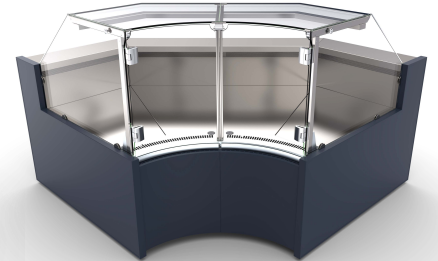
CITRINE SQ EC90
90° CURVED EXTERNAL CORNER



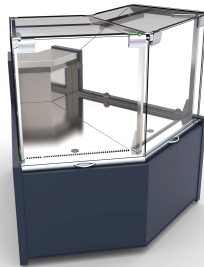
CITRINE SQ IC90
90° INTERNAL CORNER



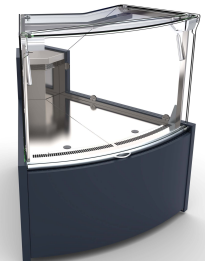
CITRINE SQ IC90
90° BEVELLED INTERNAL CORNER



CITRINE SQ IC90
90° CURVED INTERNAL CORNER



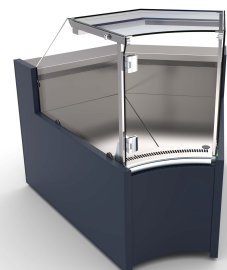
CITRINE SQ EC45
45° BEVELLED EXTERNAL CORNER



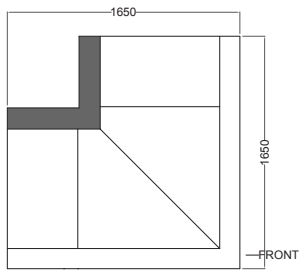
CITRINE SQ EC45
45° CURVED EXTERNAL CORNER



CITRINE SQ IC45
45° BEVELLED INTERNAL CORNER

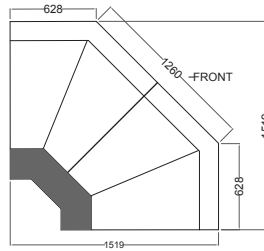


CITRINE SQ IC45
45° CURVED INTERNAL CORNER



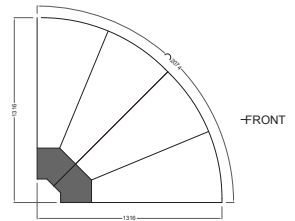
CITRINE EC90 / 90° EXTERNAL CORNER

Length mm	CITRINE 830	CITRINE 900
	90°	90°



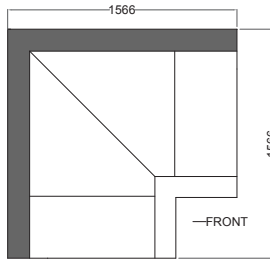
CITRINE EC90 / 90° BEVELLED EXT. CORNER

Length mm	CITRINE 830	CITRINE 900
	90°	90°



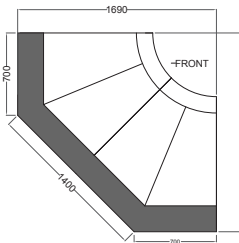
CITRINE EC90 / 90° CURVED EXT. CORNER

Length mm	CITRINE 830	CITRINE 900
	90°	90°



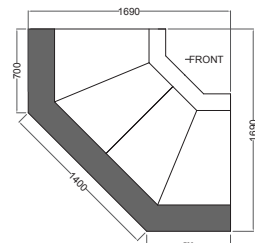
CITRINE EC90 / 90° INTERNAL CORNER

Length mm	CITRINE 830	CITRINE 900
	90°	90°



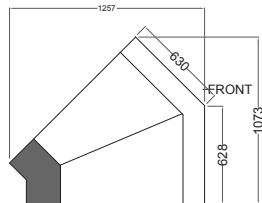
CITRINE EC90 / 90° BEVELLED INT. CORNER

Length mm	CITRINE 830	CITRINE 900
	90°	90°



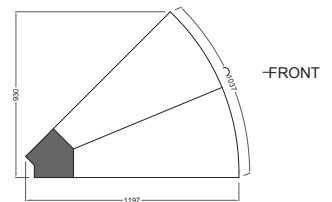
CITRINE EC90 / 90° CURVED INT. CORNER

Length mm	CITRINE 830	CITRINE 900
	90°	90°



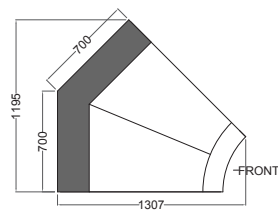
CITRINE EC45 / 45° BEVELLED EXT. CORNER

Length mm	CITRINE 830	CITRINE 900
	45°	45°



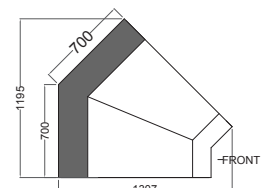
CITRINE EC45 / 45° CURVED EXT. CORNER

Length mm	CITRINE 830	CITRINE 900
	45°	45°



CITRINE IC45 / 45° BEVELLED INT. CORNER

Length mm	CITRINE 830	CITRINE 900
	45°	45°



CITRINE IC45 / 45° CURVED INT. CORNER

Length mm	CITRINE 830	CITRINE 900
	45°	45°



CITRINE CG

SELF - SERVICE & SERVE - OVER COUNTER





Benefits & Specifications:

- Mix and match counters for versatile displays
- Dozens of accessories available
- Built-in durability
- Creative combinations of stone, metal, wood and glass
- Stand out features for concept building
- Energy efficiency combined with utility
- A multi-faceted design platform
- Flushed or tiered shelving for easy service
- Curved or angled styling to optimize floor space
- Clear sight lines

Dimensions (mm):

Height : 1225 (Serve Over) / 850 (Self Service)

Length :

Run Cabinets : 1250 / 1875 / 2500 / 3750

Corner Cabinets : EC45° / EC90° / IC45° / IC90°

Depth : 1032 / 1150

SYSTEM	OPERATING TEMP. °C	REFRIGERANT
REMOTE	-1 / +1	HFC blend
	+2 / +4	HFC/HFO blend
		CO ₂ Glycol / Water

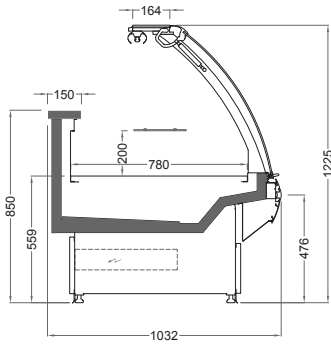
HFC: R407A / R407F / R134a / R404A · HFC/HFO: R448A / R449A / R452A / R450A
CO₂: R744 · GLYCOL/WATER: R718



TECHNICAL DATA

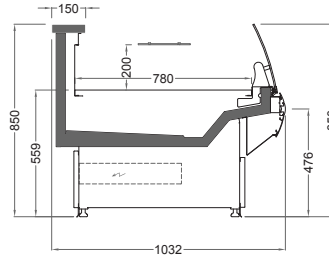
CG: CURVED GLASS / TOP HINGED

CITRINE CG 780



CITRINE 780 / 1225 / 1032 / 476 - CG - DL

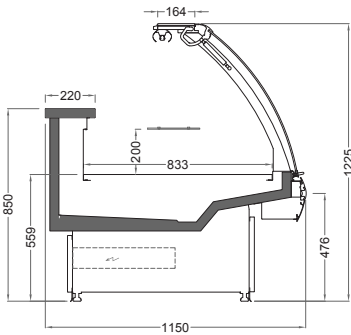
Length mm | 1250 | 1875 | 2500 | 3750



CITRINE 780 / 1225 / 1032 / 476 - CG - SS

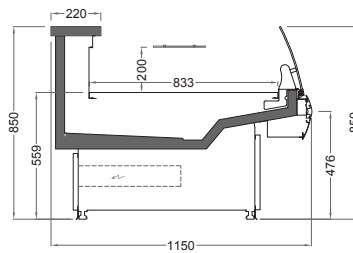
Length mm | 1250 | 1875 | 2500 | 3750

CITRINE CG 830



CITRINE 830 / 1225 / 1032 / 476 - CG - DL

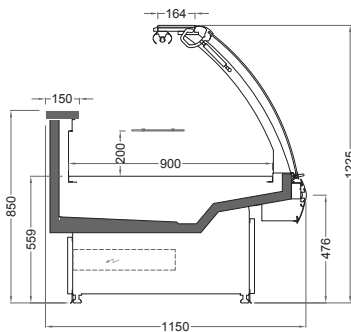
Length mm | 1250 | 1875 | 2500 | 3750



CITRINE 830 / 1225 / 1032 / 476 - CG - SS

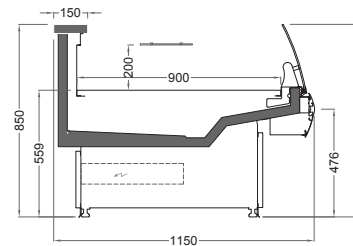
Length mm | 1250 | 1875 | 2500 | 3750

CITRINE CG 900



CITRINE 900 / 1225 / 1032 / 476 - CG - DL

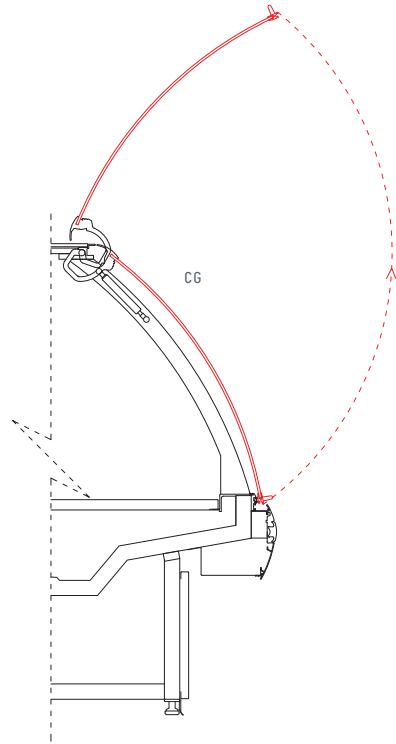
Length mm | 1250 | 1875 | 2500 | 3750



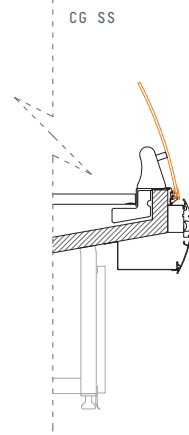
CITRINE 900 / 1225 / 1032 / 476 - CG - SS

Length mm | 1250 | 1875 | 2500 | 3750

CITRINE SERVE-OVER COUNTERS FRONT GLASS TYPES

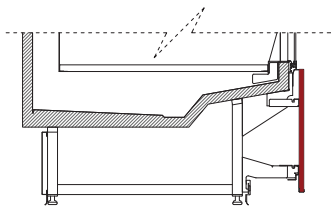


CG: CURVED GLASS, TOP HINGED

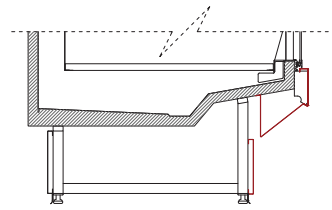


CG SS: CURVED GLASS, SELF-SERVICE

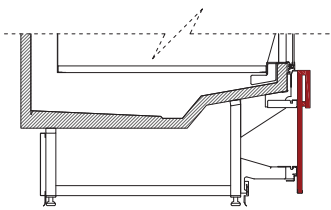
CITRINE CG FASCIA PANEL & FOOT TYPES



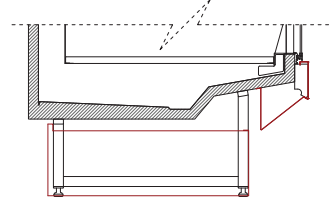
TP: FLAT FRONT FASCIA PANEL



B: FOOT ASSEMBLY (CLOSED BOTTOM)



YP: HALF LOWER FRONT FASCIA PANEL



BA: FOOT ASSEMBLY (OPEN BOTTOM)



CITRINE ORIEL

SERVE - OVER COUNTER



Benefits & Specifications:

- Oriel display for niche products
- Eye-catching presentation for discerning customers
- Revolving tray for highlighted products
- Adds dynamic perspective

Dimensions (mm):

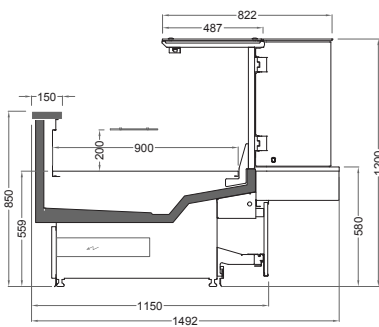
Height :1200
 Length :1250
 Depth : 1489

SYSTEM	OPERATING TEMP. °C	REFRIGERANT
REMOTE	+2 / +4	HFC blend HFC/HFO blend CO ₂ Glycol / Water

HFC: R407A / R407F / R134a / R404A · HFC/HFO: R448A / R449A / R452A / R450A
 CO₂: R744 · GLYCOL/WATER: R718

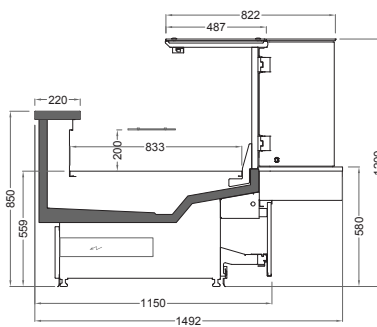


TECHNICAL DATA



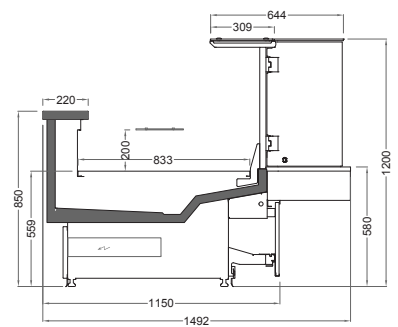
CITRINE 900 / 1200 / 1150 / 580-SQ-AA

Length mm | 1250



CITRINE 830 / 1200 / 1150 / 580-SQ-AA

Length mm | 1250



CITRINE 830 / 1200 / 1150 / 580-SQ-D

Length mm | 1250



CITRINE STORAGE

SERVE - OVER COUNTER with INTEGRATED STORAGE



Benefits & Specifications:

- Flushed or tiered shelving for easy service
- Easily adaptable to seasonal needs
- Small footprint with increased display area
- Ideal for a wide variety of food&beverage presentations

Dimensions (mm):

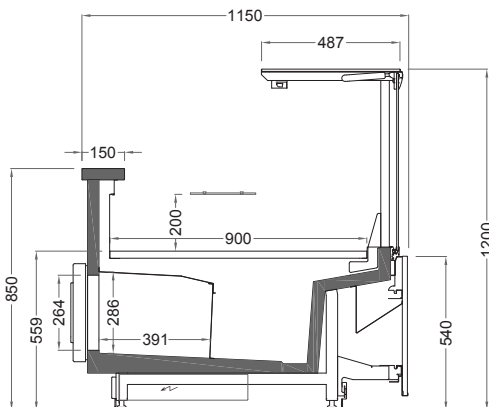
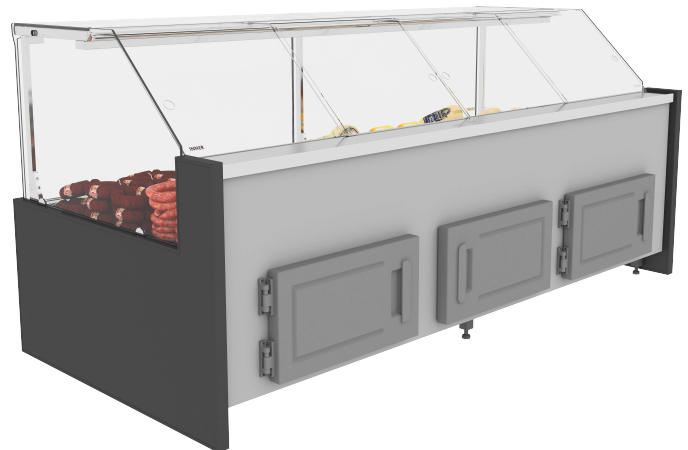
Height :1200 (SQ) / 1225 (CG)
 Length :1250 / 1875 / 2500 / 3750
 Depth : 1150

SYSTEM	OPERATING TEMP. °C	REFRIGERANT
REMOTE	-1 / +1	HFC blend
	+2 / +4	HFC/HFO blend CO ₂ Glycol / Water

HFC: R407A / R407F / R134a / R404A · HFC/HFO: R448A / R449A / R452A / R450A
 CO₂: R744 · GLYCOL/WATER: R718

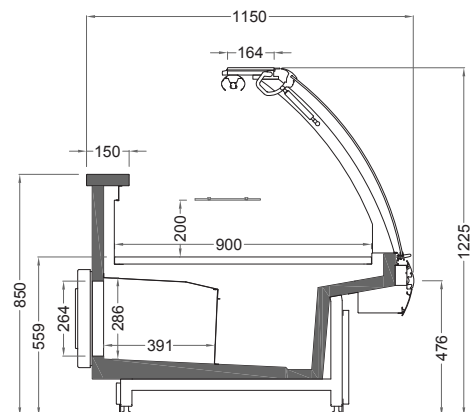


TECHNICAL DATA



CITRINE 900 / 1200 / 1150 / 549 - SQ - AA - DP

Length mm | 1250 | 1875 | 2500 | 3750



CITRINE 900 / 1225 / 1150 / 476 - CG - DP

Length mm | 1250 | 1875 | 2500 | 3750



CITRINE MEAT

STATIC SERVE - OVER COUNTER





Benefits & Specifications:

- Flushed or tiered shelving for easy service
- Easily adaptable to seasonal needs
- Small footprint with increased display area
- Ideal for a wide variety of food&beverage presentations

Dimensions (mm):

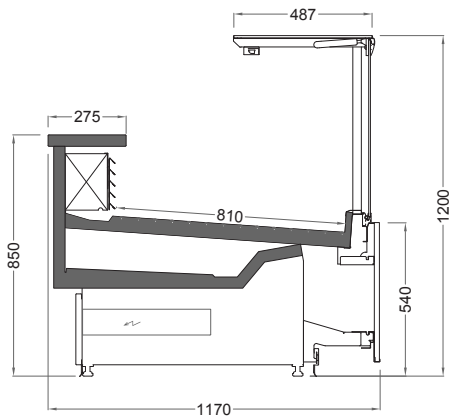
Height :1200 (SQ) / 1225 (CG)
 Length :1250 / 1875 / 2500 / 3750
 Depth : 1170(SQ) / 1195 (CG)

SYSTEM	OPERATING TEMP. °C	REFRIGERANT
REMOTE	-1 / +1	HFC blend HFC/HFO blend

HFC: R407A / R407F / R134a / R404A · HFC/HFO: R448A / R449A / R452A / R450A

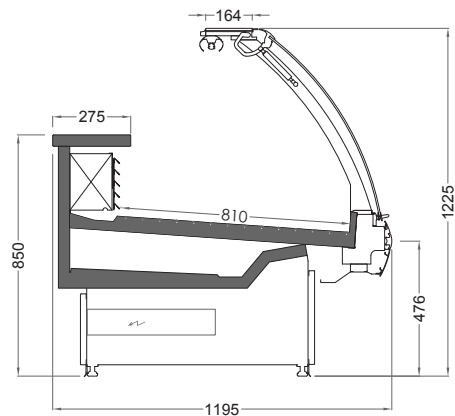


TECHNICAL DATA



CITRINE 810 / 1200 / 1170 / 540 - SQ - AA - ST - MEAT

Length mm | 1250 | 1875 | 2500 | 3750



CITRINE 810 / 1200 / 1195 / 540 - CG - AA - ST -FG- MEAT

Length mm | 1250 | 1875 | 2500 | 3750



CITRINE FISH

STATIC SELF - SERVICE & SERVE - OVER COUNTERS



Benefits & Specifications:

- Flushed or tiered shelving for easy service
- Easily adaptable to seasonal needs
- Small footprint with increased display area
- Ideal for a wide variety of food&beverage presentations

Dimensions (mm):

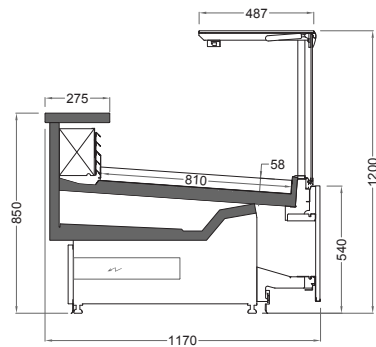
Height :1200 (SQ) / 1225 (CG)
 Length :1250 / 1875 / 2500 / 3750
 Depth : 1170(SQ) / 1195 (CG)

SYSTEM	OPERATING TEMP. °C	REFRIGERANT
REMOTE	-1 / +1	HFC blend HFC/HFO blend

HFC: R407A / R407F / R134a / R404A · HFC/HFO: R448A / R449A / R452A / R450A

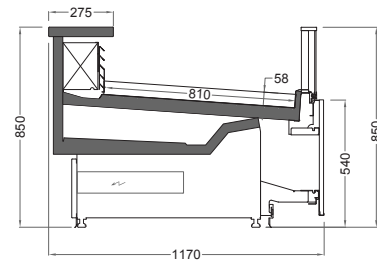


TECHNICAL DATA



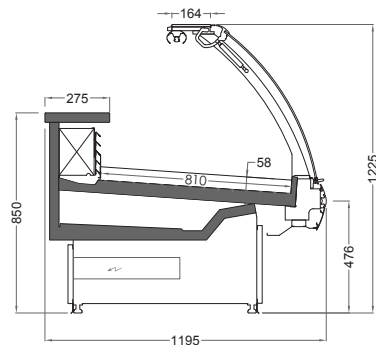
CITRINE 810 / 1200 / 1170 / 540 - SQ - AA - ST - FISH

Length mm | 1250 | 1875 | 2500 | 3750



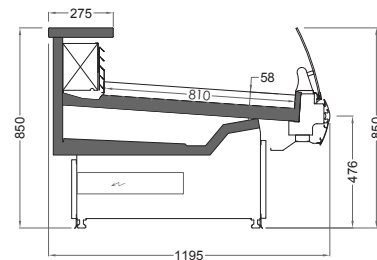
CITRINE 810 / 850 / 1170 / 540 - SQ - AA - ST - SS - FISH

Length mm | 1250 | 1875 | 2500 | 3750



CITRINE 810 / 1200 / 1195 / 540 - CG - AA - ST - FG - FISH

Length mm | 1250 | 1875 | 2500 | 3750



CITRINE 810 / 850 / 1195 / 540 - CG - AA - ST - SS - FISH

Length mm | 1250 | 1875 | 2500 | 3750



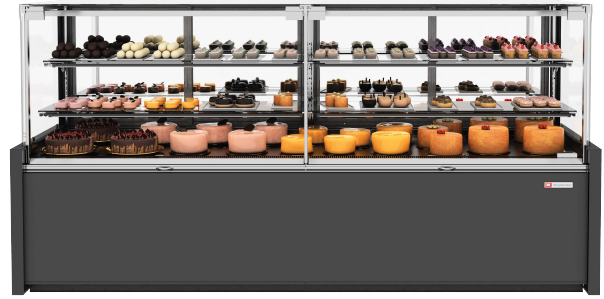
CITRINE PATISSERIE

SERVE - OVER COUNTER



Benefits & Specifications:

- Commendable eye-catching display
- Multi- features to easy service operations
- Handy product replenishment through multi opening features
- Accessible and ergonomic
- Increased display area
- Dynamic lighting
- Fully configurable through different height options to different concepts



Dimensions (mm):

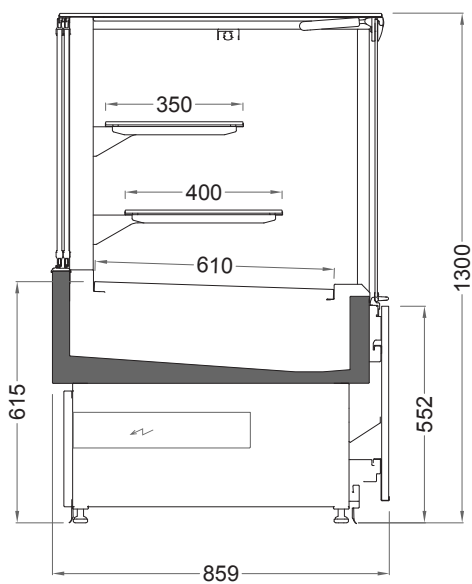
Height :1554
 Length :1250 / 2500
 Depth : 1150

SYSTEM	OPERATING TEMP. °C	REFRIGERANT
REMOTE	+3 / +5	HFC blend HFC/HFO blend CO ₂ Glycol / Water

HFC: R407A / R407F / R134a / R404A · HFC/HFO: R448A / R449A / R452A / R450A
 CO₂: R744 · GLYCOL/WATER: R718



TECHNICAL DATA



CITRINE PATISSERIE | 1300 / 859 / 552 - SQ

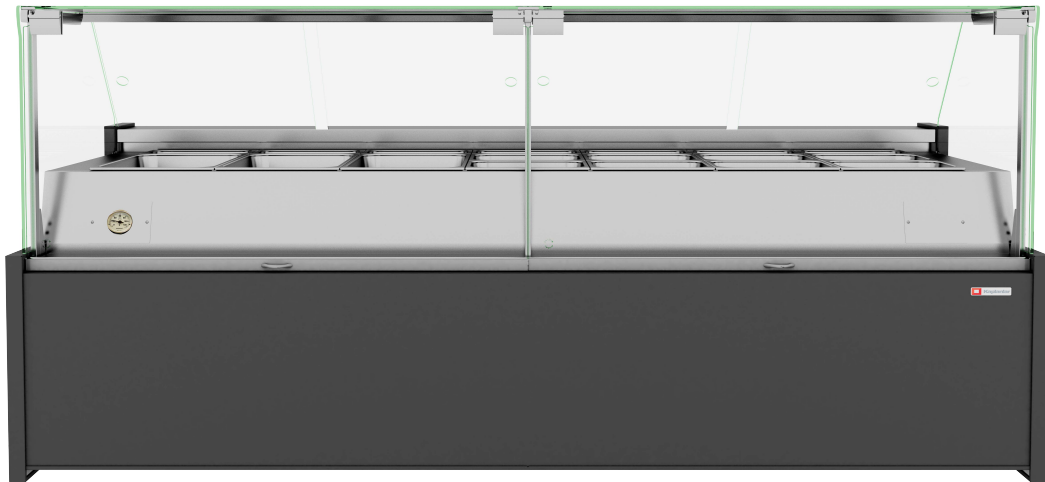
Length mm | 1250 | 2500



CITRINE BAIN MARIE

SERVE - OVER HOT COUNTER





Benefits & Specifications:

- Commendable eye-catching display
- Multi- features to easy service operations
- Handy product replenishment through multi opening features
- Accessible and ergonomic
- Increased display area
- Dynamic lighting
- Fully configurable through different height options to different concepts

Dimensions (mm):

Height :1200 (SQ) / 1225 (CG)
Length :1250 / 1875 / 2500/ 3750
Depth : 1027 / 1150

SYSTEM	OPERATING TEMP. °C
BAIN MARIE	+79 / +82

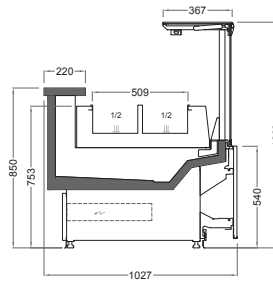
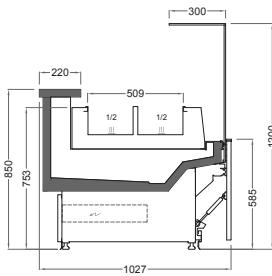


D: SQUARE GLASS / LOWER HINGED

AA: FLAT GLASS / TOP HINGED

CG: CURVED GLASS / TOP HINGED

CITRINE 710



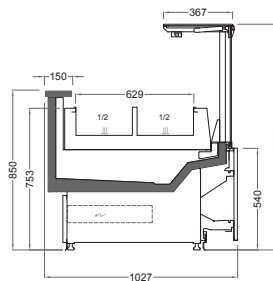
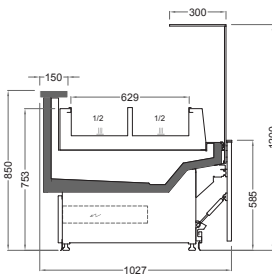
CITRINE 710 / 1200 / 1027 / 585-SQ-D-BM

CITRINE 710 / 1200 / 1027 / 540-SQ-AA-BM

Length mm | 1250 | 1875 | 2500 | 3750

Length mm | 1250 | 1875 | 2500 | 3750

CITRINE 780

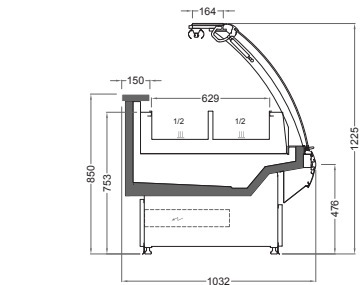


CITRINE 780 / 1200 / 1027 / 585-SQ-D-BM

CITRINE 780 / 1200 / 1027 / 540-SQ-AA-BM

Length mm | 1250 | 1875 | 2500 | 3750

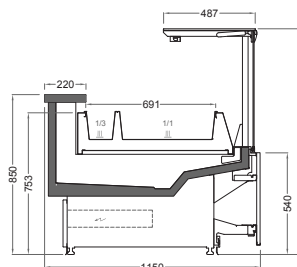
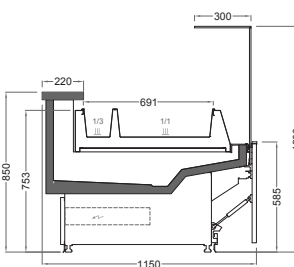
Length mm | 1250 | 1875 | 2500 | 3750



CITRINE 780 / 1225 / 1032 / 476-CG-BM

Length mm | 1250 | 1875 | 2500 | 3750

CITRINE 830

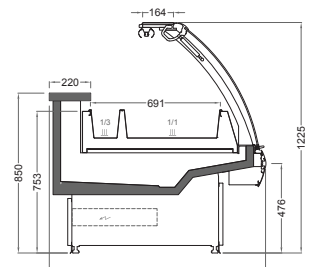


CITRINE 830 / 1200 / 1027 / 585-SQ-D-BM

CITRINE 830 / 1200 / 1027 / 540-SQ-AA-BM

Length mm | 1250 | 1875 | 2500 | 3750

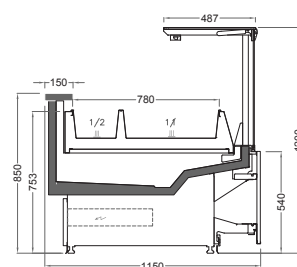
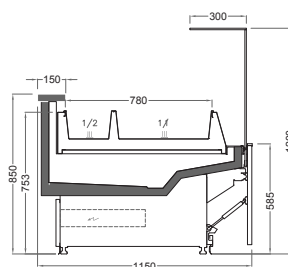
Length mm | 1250 | 1875 | 2500 | 3750



CITRINE 830 / 1225 / 1032 / 476-CG-BM

Length mm | 1250 | 1875 | 2500 | 3750

CITRINE 900

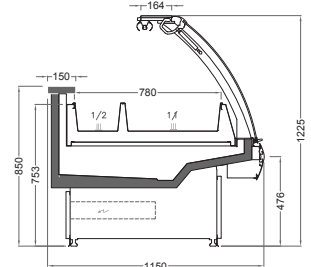


CITRINE 900 / 1200 / 1027 / 585-SQ-D-BM

CITRINE 900 / 1200 / 1027 / 540-SQ-AA-BM

Length mm | 1250 | 1875 | 2500 | 3750

Length mm | 1250 | 1875 | 2500 | 3750



CITRINE 900 / 1225 / 1032 / 476-CG-BM

Length mm | 1250 | 1875 | 2500 | 3750



CITRINE HOT PLATE

SERVE - OVER HOT COUNTER





Benefits & Specifications:

- Commendable eye-catching display
- Multi- features to easy service operations
- Handy product replenishment through multi opening features
- Accessible and ergonomic
- Increased display area
- Dynamic lighting
- Fully configurable through different height options to different concepts

Dimensions (mm):

Height :1200 (SQ) / 1225 (CG)
Length :1250 / 1875 / 2500/ 3750
Depth : 1027 / 1150

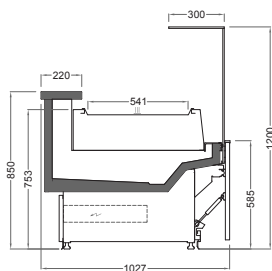
SYSTEM	OPERATING TEMP. °C
HOT	+65 / +70

D: SQUARE GLASS / LOWER HINGED

AA: FLAT GLASS / TOP HINGED

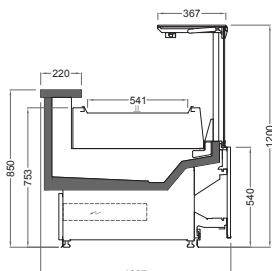
CG: CURVED GLASS / TOP HINGED

CITRINE 710



CITRINE 710 / 1200 / 1027 / 585-SQ-D-HP

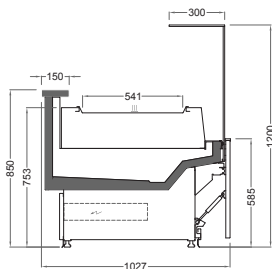
Length mm | 1250 | 1875 | 2500 | 3750



CITRINE 710 / 1200 / 1027 / 540-SQ-AA-HP

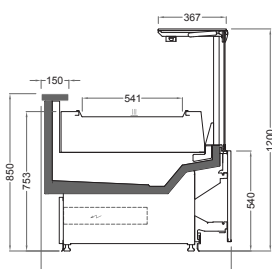
Length mm | 1250 | 1875 | 2500 | 3750

CITRINE 780



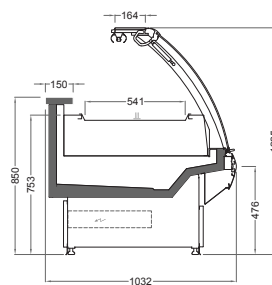
CITRINE 780 / 1200 / 1027 / 585-SQ-D-HP

Length mm | 1250 | 1875 | 2500 | 3750



CITRINE 780 / 1200 / 1027 / 540-SQ-AA-HP

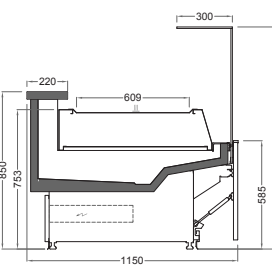
Length mm | 1250 | 1875 | 2500 | 3750



CITRINE 780 / 1225 / 1032 / 476-CG-HP

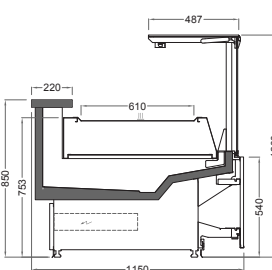
Length mm | 1250 | 1875 | 2500 | 3750

CITRINE 830



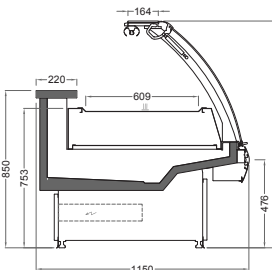
CITRINE 830 / 1200 / 1027 / 585-SQ-D-HP

Length mm | 1250 | 1875 | 2500 | 3750



CITRINE 830 / 1200 / 1027 / 540-SQ-AA-HP

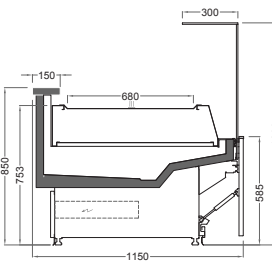
Length mm | 1250 | 1875 | 2500 | 3750



CITRINE 830 / 1225 / 1032 / 476-CG-HP

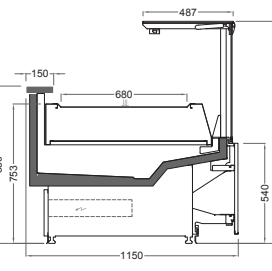
Length mm | 1250 | 1875 | 2500 | 3750

CITRINE 900



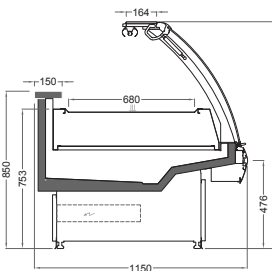
CITRINE 900 / 1200 / 1027 / 585-SQ-D-HP

Length mm | 1250 | 1875 | 2500 | 3750



CITRINE 900 / 1200 / 1027 / 540-SQ-AA-HP

Length mm | 1250 | 1875 | 2500 | 3750



CITRINE 900 / 1225 / 1032 / 476-CG-HP

Length mm | 1250 | 1875 | 2500 | 3750



CITRINE GRAB & GO

SELF - SERVICE COUNTERS



Benefits & Specifications:

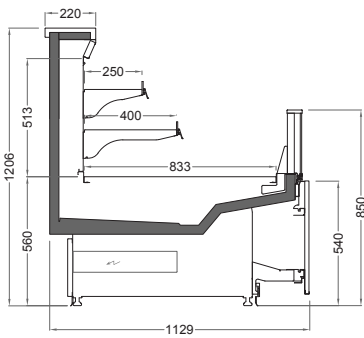
- Small footprint with compact design
- Ideal for a wide variety of food presentations
- Easily adaptable to seasonal needs
- Accessible and ergonomic

Dimensions (mm):

Height :1206 / 1220 / 1500
 Length :1250 / 1875 / 2500 / 3750
 Depth : 1129

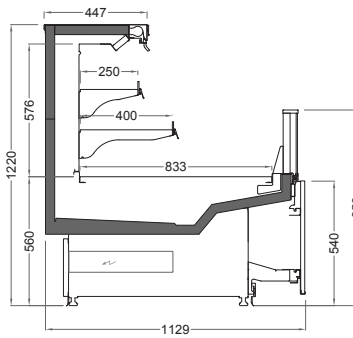
SYSTEM	OPERATING TEMP. °C	REFRIGERANT
REMOTE	-1 / +1 +2 / +4	HFC blend HFC/HFO blend CO ₂ Glycol / Water

HFC: R407A / R407F / R134a / R404A · HFC/HFO: R448A / R449A / R452A / R450A
 CO₂: R744 · GLYCOL/WATER: R718



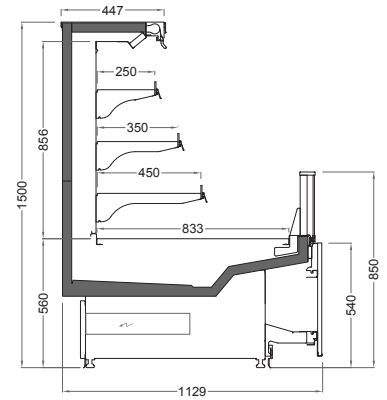
CITRINE GG 830/1200/1129/540-SQ-AA-NC

Length mm | 1250 | 1875 | 2500 | 3750



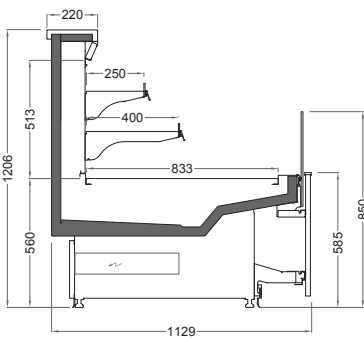
CITRINE GG 830/1220/1129/540-SQ-AA

Length mm | 1250 | 1875 | 2500 | 3750



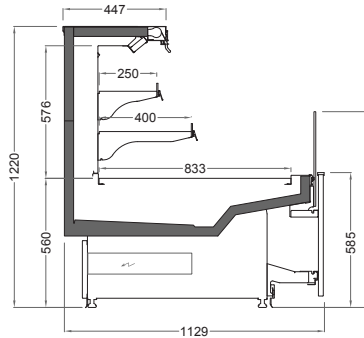
CITRINE GG 830/1500/1129/540-SQ-AA

Length mm | 1250 | 1875 | 2500 | 3750



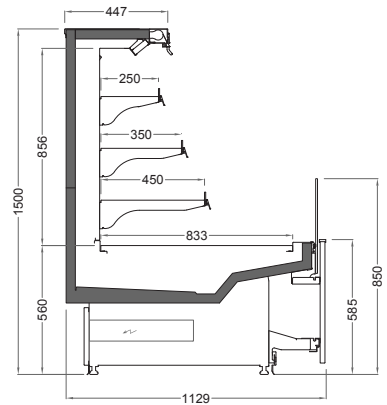
CITRINE GG 830/1200/1129/585-SQ-D-NC

Length mm | 1250 | 1875 | 2500 | 3750



CITRINE GG 830/1220/1129/585-SQ-D

Length mm | 1250 | 1875 | 2500 | 3750

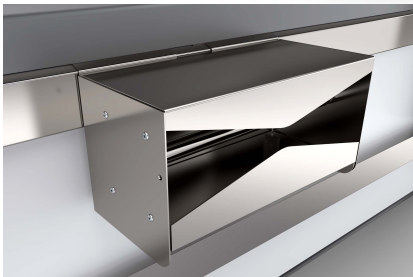


CITRINE GG 830/1500/1129/585-SQ-D

Length mm | 1250 | 1875 | 2500 | 3750



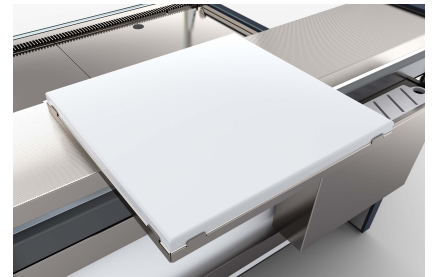
ACCESSORIES



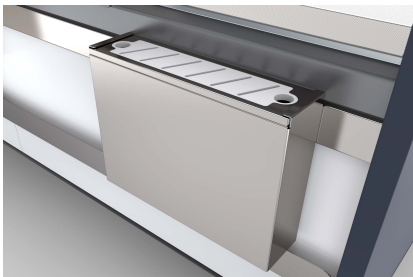
BAG DISPENSER



BIN



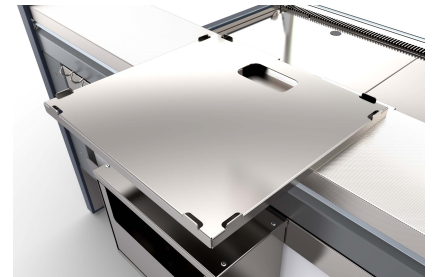
CUTTING BOARD



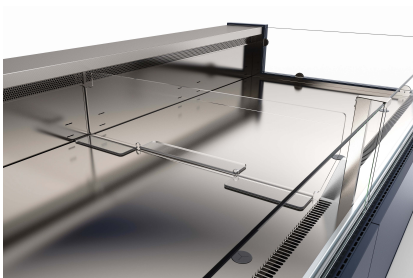
KNIFE HOLDER



PICK A BAG HOOKS



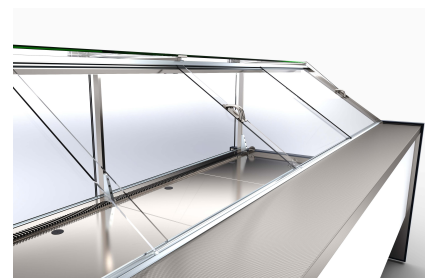
SCALE PLATFORM



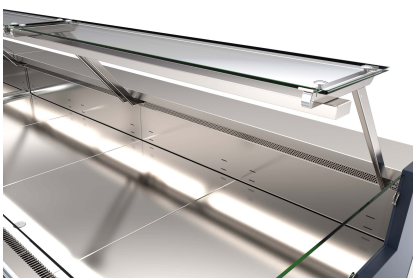
PRODUCT DIVIDER



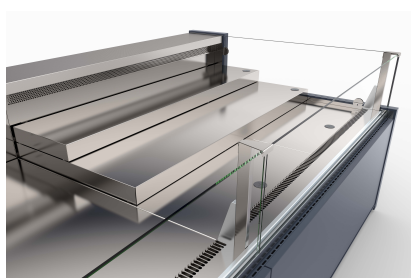
MODUL DIVIDER



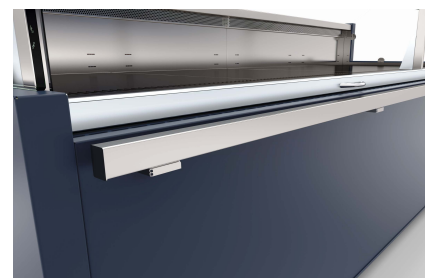
SLIDING REAR DOOR



REAR ARM WITH GLASS



STEPPED DECK



STAINLESS STEEL BUMPRAIL



YOUR
WORLD
OUR
WORLD