

AVENTURIN H

SELF - SERVICE INTEGRAL COUNTER





AVENTURIN H

SELF - SERVICE INTEGRAL COUNTER



Benefits & Specifications:

- Stand out features for concept building
- Small footprint with compact design
- Easy access and ergonomic design
- Adds dynamic perspective
- Ideal for a wide variety of food presentations
- Easily adaptable to changes of product

Dimensions (mm):

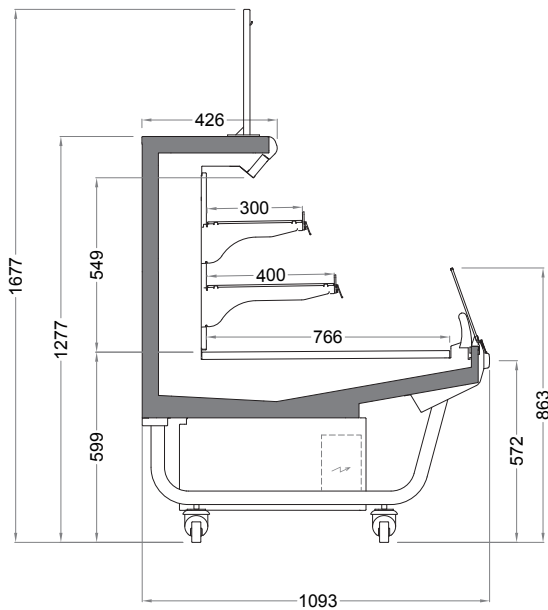
Height :1277
Length :1250
Depth : 1093

SYSTEM	OPERATING TEMP. °C	REFRIGERANT
PLUG-IN	-2 / 0 -1 / +1 +2 / +4	HC HFC blend HFC / HFO blend

HC: R290 / R1270 · HFC: R407A / R407F / R134a / R404A · HFC / HFO: R448A / R449A / R452A / R450A



TECHNICAL DATA



AVENTURIN H PL

Length mm | 1250

YOUR
WORLD
OUR
WORLD